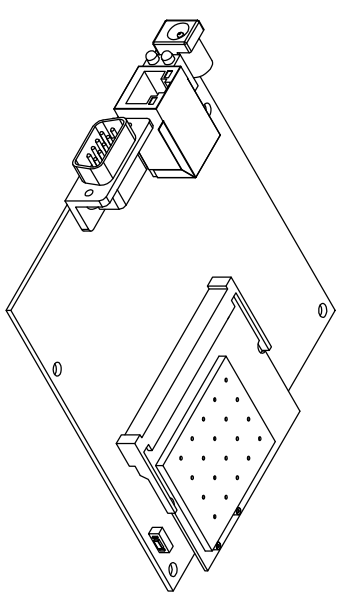
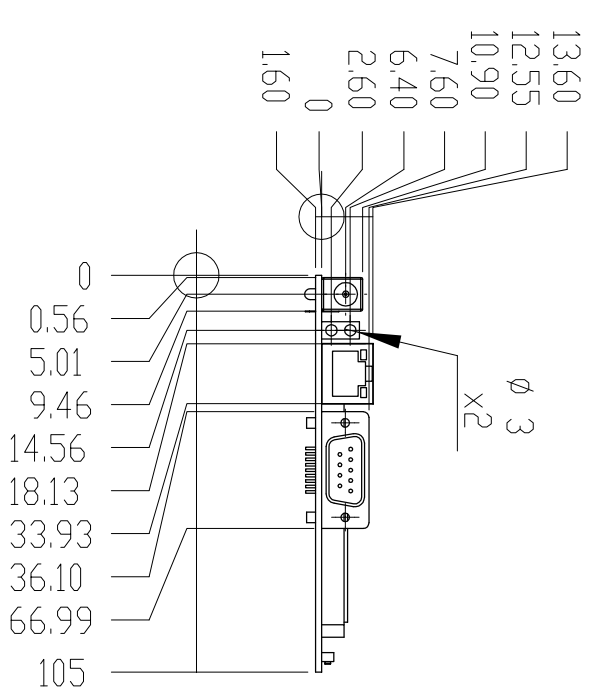
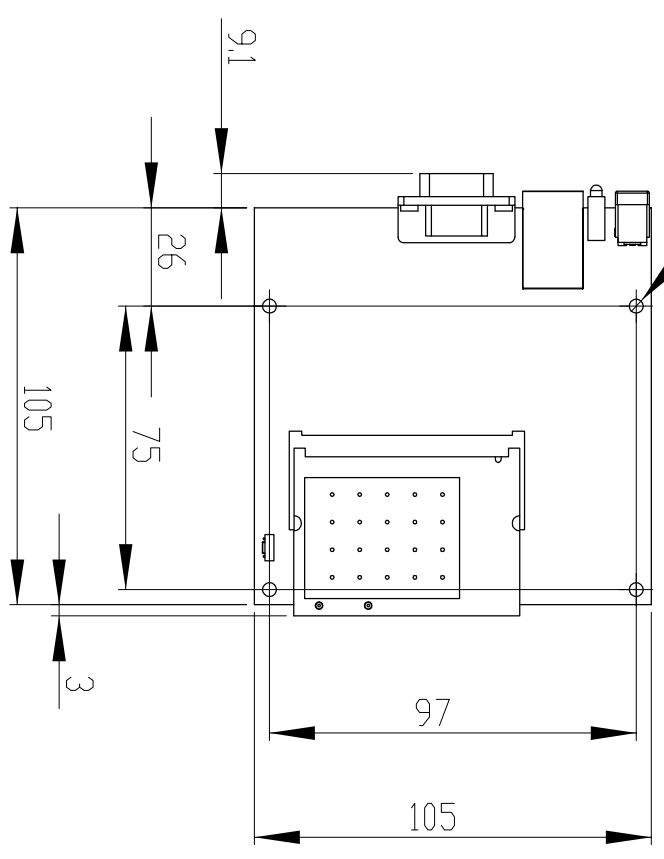


Ø 3.70  
x 4



1. Unspecified R  
2. Unspecified tolerances:  
exept p.3:

Tolerance	IT12
Nominal	IT12
>	≤
6	0.1
30	0.2
120	0.3
315	0.4
1000	0.6
2000	1.0

3. Hole coordinates with unspecified tolerances

Hole pattern  $\text{⌀ } \text{⌀ } 0.3$  for all coordinative dim-5; countersunks -  $\text{⌀ } \text{⌀ } 0.1$

DIN7168/FINE ≤ 1

External: -IT12  
Internal: +IT12  
Others: ±IT12/2

Do not scale drawing

	Date	23.01.08	Name	Veriders
	Drawn.	Check.	Approw.	



Scale	1:2	Mass
Description:	RB411 dimensions	
Material:		
Drawing code:	RB411dim	
Sheet	A3	
Printed:	13.02.08	
Sheet	1 of 1	